

4

3

2

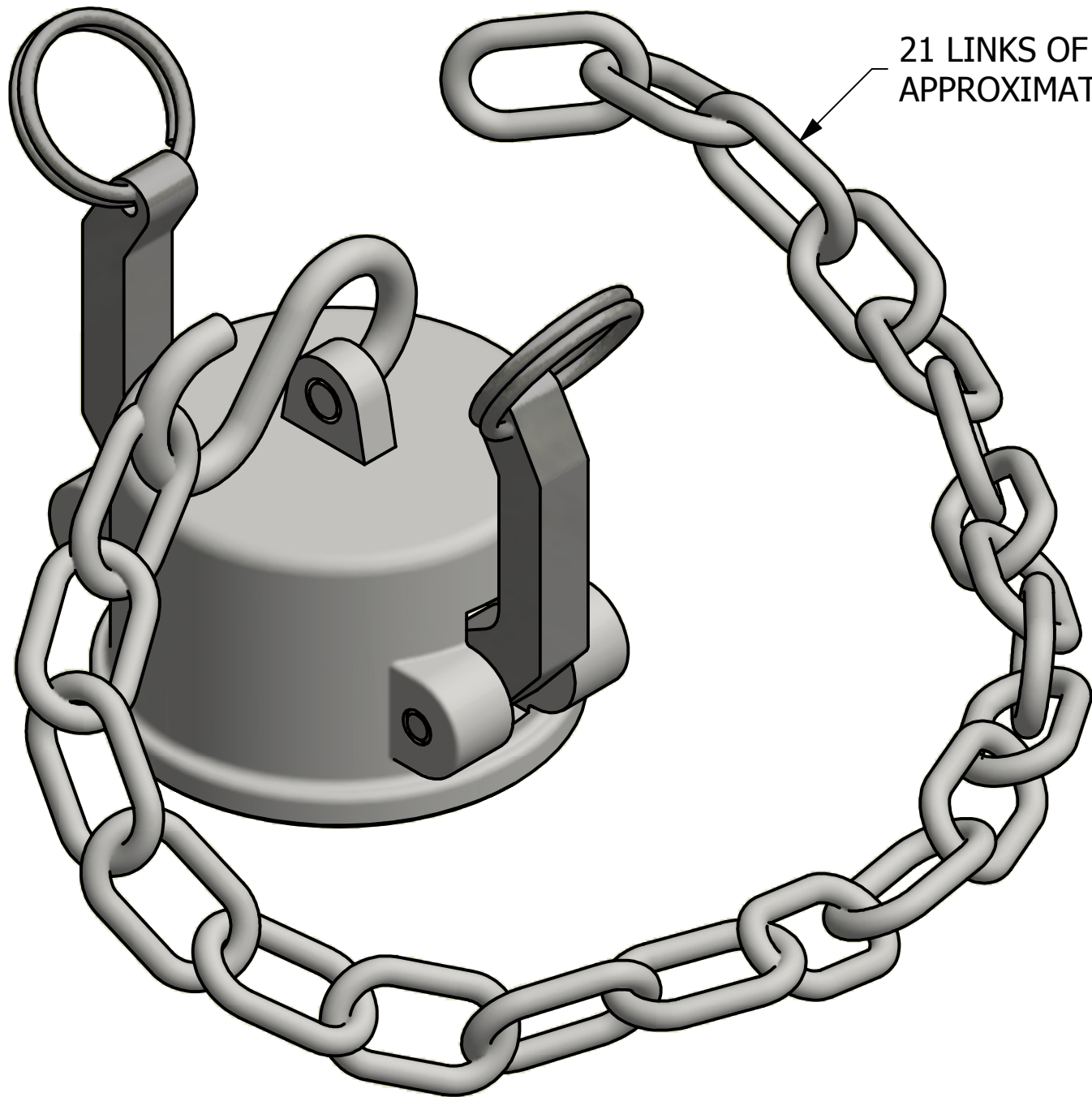
1

B

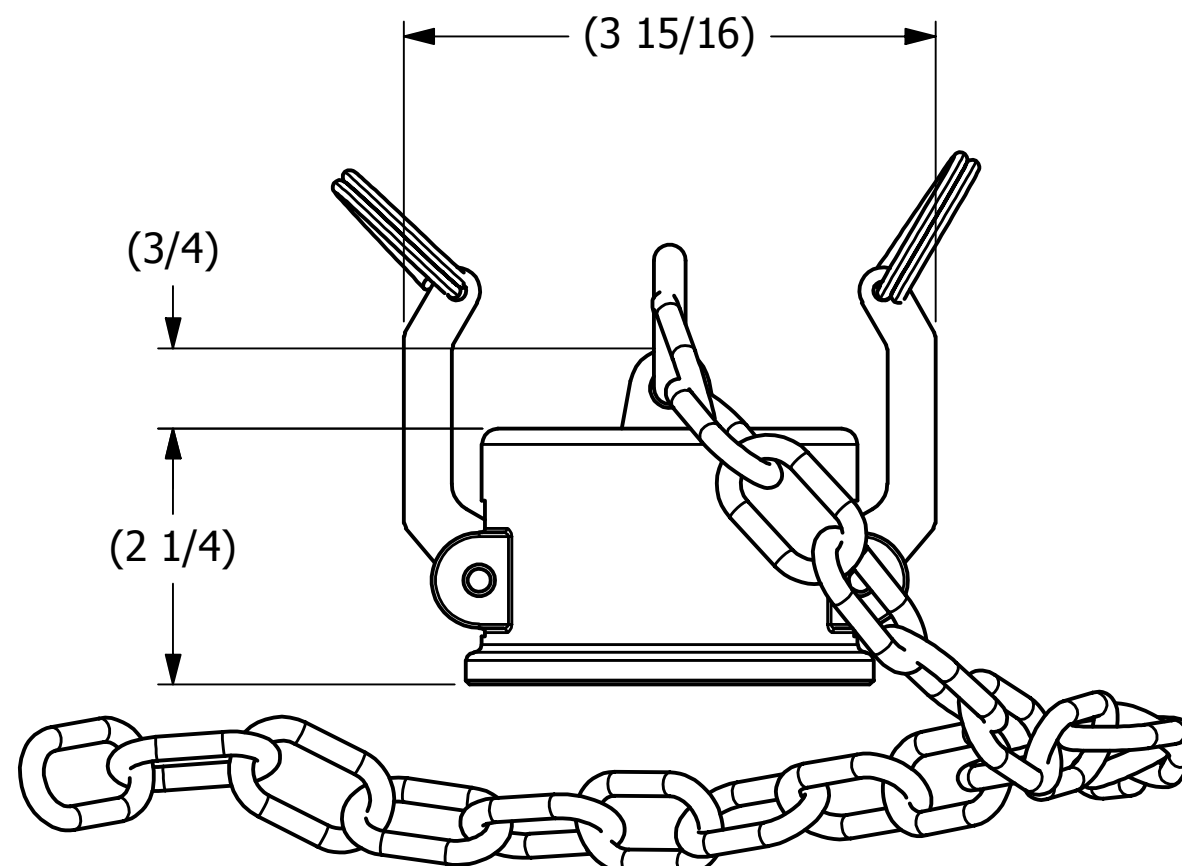
B

SALES DRAWING

SALES DRAWING



21 LINKS OF 3/16" SS CHAIN  
APPROXIMATE LENGTH 20"



SCALE 2:3

A

A

NOTE:  
CAP GASKET MATERIAL IS BLACK VITON B.

B	RJP	6-12-14	ADDED (5) SC28SS, UPDATED TITLE BLOCK
A	RJP	10-15-13	RELEASED FOR PRODUCTION
REV	BY	DATE	DESCRIPTION

UNLESS OTHERWISE SPECIFIED DIMENSIONAL TOLERANCES		DRAWN BY:	RJP
FRACTIONAL:	±1/16	CHECKED BY:	GDS
X.XX:	±.03	PROTOTYPE BY:	RJP
X.XXX:	±.015	PROTOTYPE DATE:	10/4/2013
ANGULAR:	±1°	APPROVED FOR PRODUCTION BY:	CHL
DEBURR ALL SHARP EDGES. ALL MACHINED SURFACES TO HAVE A 125 RMS FINISH UNLESS NOTED OTHERWISE.		PRODUCTION DATE:	10/15/2013
THIRD ANGLE PROJECTION			

PART NAME: <b>DUST CAP 2"</b>		
MATERIAL: <b>STAINLESS STEEL</b>		
PROJECT #:	1309271	SHEET #:
		1 OF 1
DRAWING #:		SCALE: 1:1
<b>B37424</b>		PART #:
<b>K20SDC7A</b>		

THIS PRINT, PROPERTY OF SALCO PRODUCTS INC., CONTAINS PROPRIETARY INFORMATION AND MUST NOT BE COPIED, REPRODUCED, OR USED DETRIMENTALLY TO OUR INTEREST.

4

3

2

1

A

A